

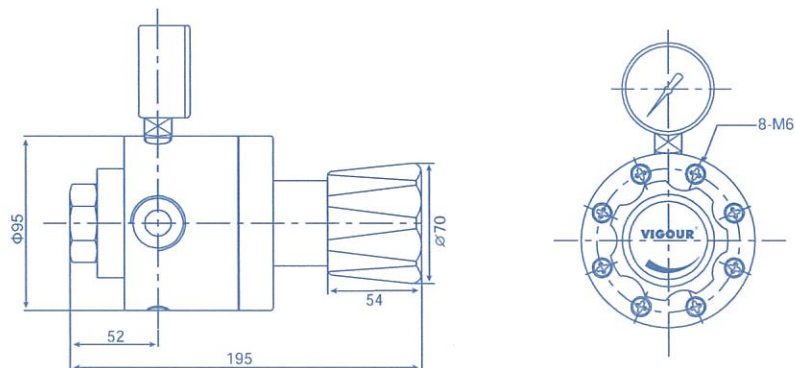
### Product Features

- Low pressure, high flow regulator
- Brass chrome plated body for non-corrosive gases and mixtures up to grade 6.0
- Stainless steel 316L body for pharmaceutical, food, and beverage application
- 4 ports flexible configuration
- Stable outlet pressure
- Tested for use with oxygen

### Typical Applications

- Component Testing
- Calibration Systems
- Laboratory Pressure Control
- High Pressure Sampling Systems
- Service & Test Equipment

### Dimensions (mm)



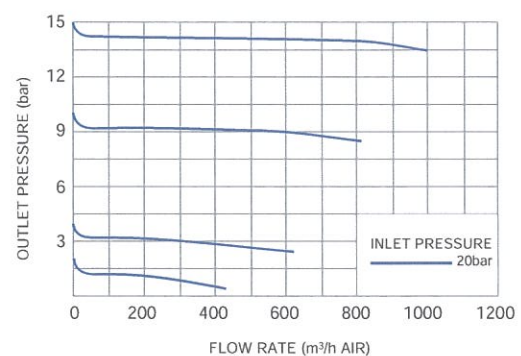
## VSR-4L Series



### Technical Data

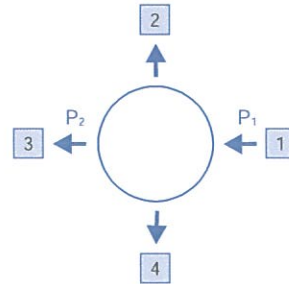
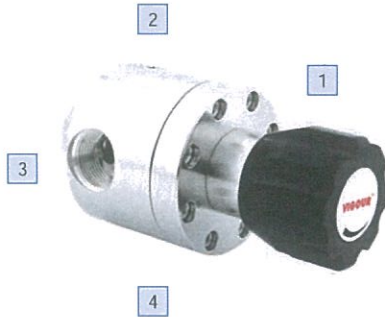
Type:	single-stage
Inlet pressure P <sub>1</sub> :	max. 35bar
Outlet pressure P <sub>2</sub> :	2/4/10/20bar
Materials	
Body regulator	see ordering info
Valve seat:	Buna-N
Diaphragm:	Nylon Reinforced
(option)	Hastelloy® C276
Inlets and Outlets:	see ordering info
Temperature range:	-15°C to +74°C
Leak rate (to atmosphere)	1x10 <sup>-6</sup> mbar l/s He
(via seat)	1x10 <sup>-4</sup> mbar l/s He
Flow capacity:	C <sub>V</sub> =5.1
Weight:	4.10 kg

### Flow Chart



**Wir bieten Lösungen für Ihre Ideen!**  
**We offer solutions regarding your ideas!**

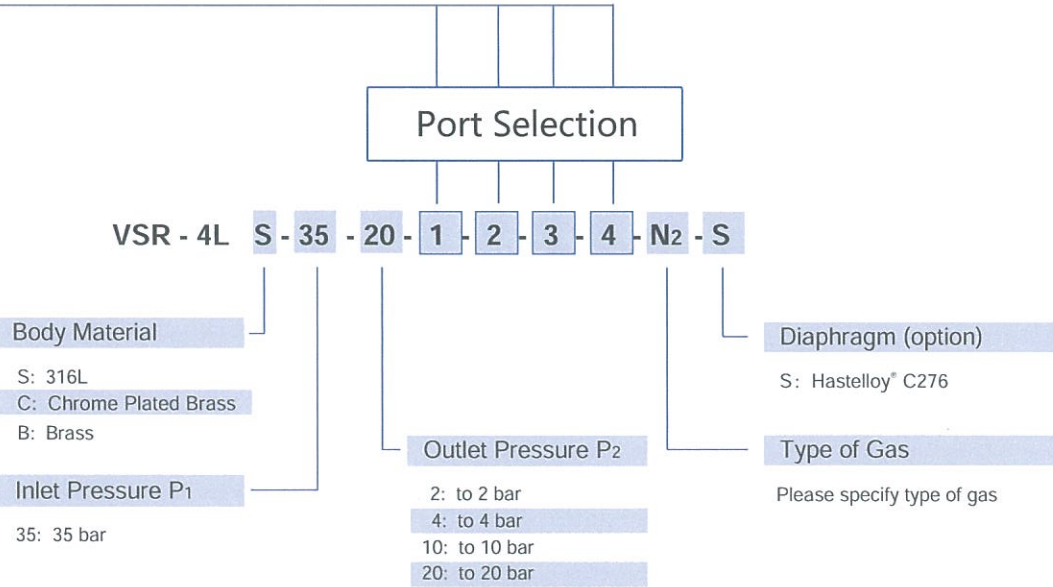
## Ordering Information



### Inlets / Outlets

00: 1/4" NPT(F)	07: 3/4" NPT(M)	98: 3/4" Tube fitting
04: 1/2" NPT(F)	08: 1" NPT(F)	99: 1" Tube fitting
05: 1/2" NPT(M)	09: 1" NPT(M)	P: Gauge(Psig/bar)
06: 3/4" NPT(F)	68: 20mm Weld tube	B: Plug

\* Other connection standard, consult factory.



## Ordering Example

Example: VSR - 4L S - 35 - 20 - 06 - 00 - 06 - B - O<sub>2</sub>

